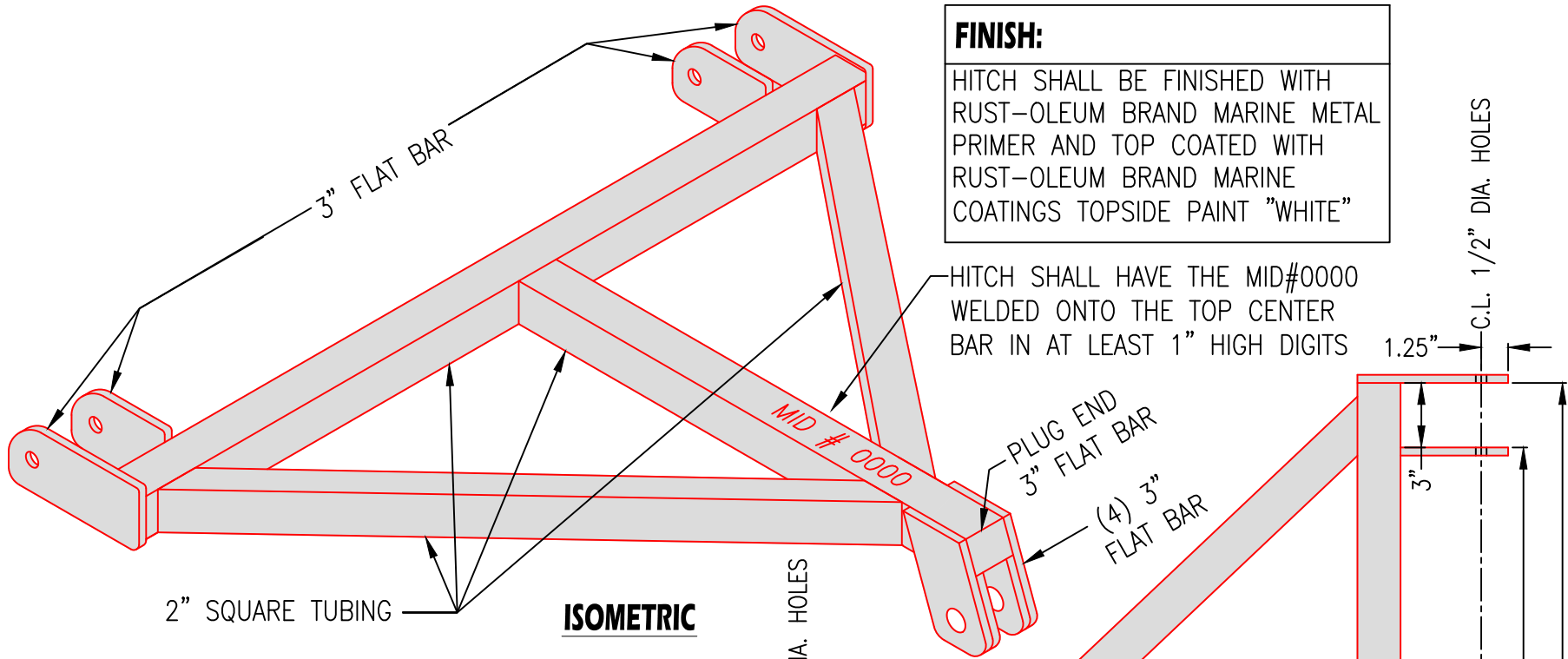


DETAIL
HOUSEBOAT MOORING HITCH
CALIFORNIA

FINISH:
HITCH SHALL BE FINISHED WITH RUST-OLEUM BRAND MARINE METAL PRIMER AND TOP COATED WITH RUST-OLEUM BRAND MARINE COATINGS TOPSIDE PAINT "WHITE"

HITCH SHALL HAVE THE MID#0000 WELDED ONTO THE TOP CENTER BAR IN AT LEAST 1" HIGH DIGITS

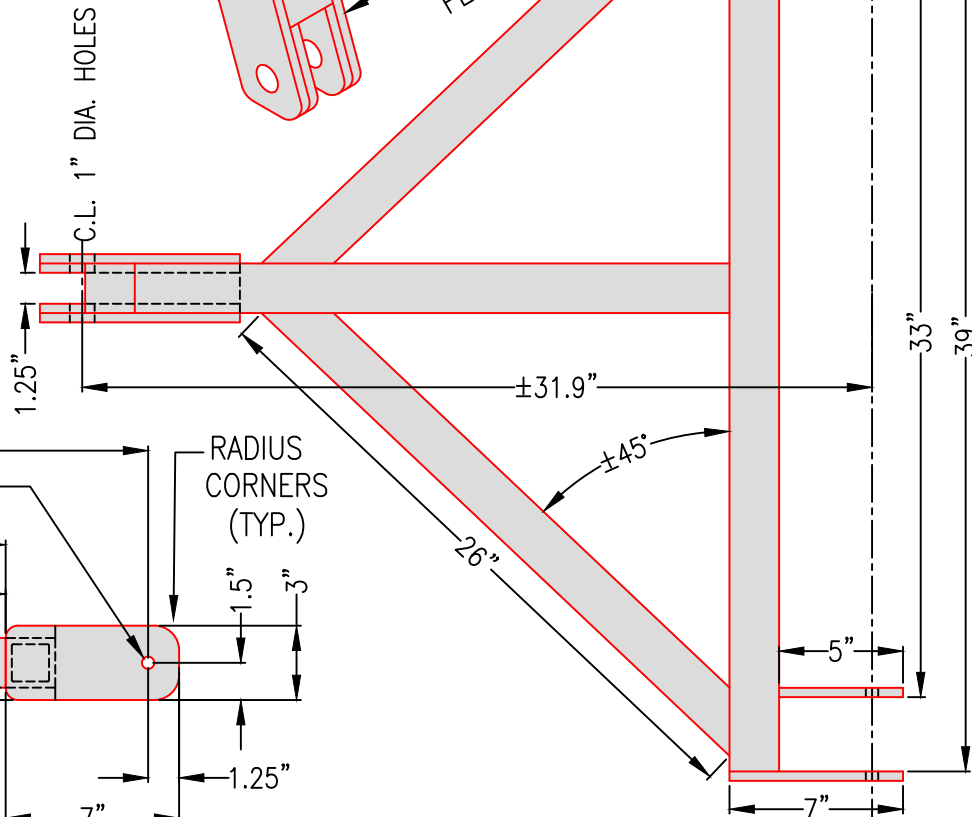


2" SQUARE TUBING

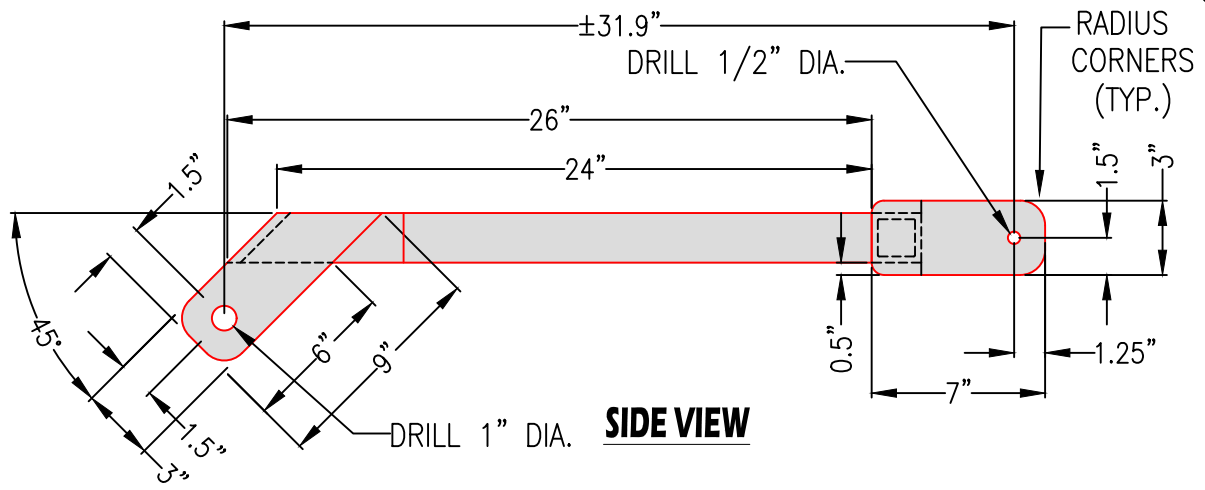
ISOMETRIC

MINIMUM REQUIRED MATERIALS:

(56") - 3/8" X 3" FLAT BAR
(117") - 2" X 2" X 1/4" WALL SQUARE TUBING
ALL MATERIALS HOT ROLLED MILD STEEL



TOP VIEW



SIDE VIEW

DESIGN:	VM	4-1-20
DRAWN:	VM	4-1-20
CHECKED:	VM	4-1-20

MERCED IRRIGATION DISTRICT
744 W. 20TH STREET, P.O. BOX 2288, MERCED, CA 95344, (209) 222-5161

SCALE:
NONE