

DETAIL

HOUSEBOAT MOORING HITCH

DESIGN:	VM	4-1-20
DRAWN:	VM	4-1-20
CHECKED:	VM	4-1-20

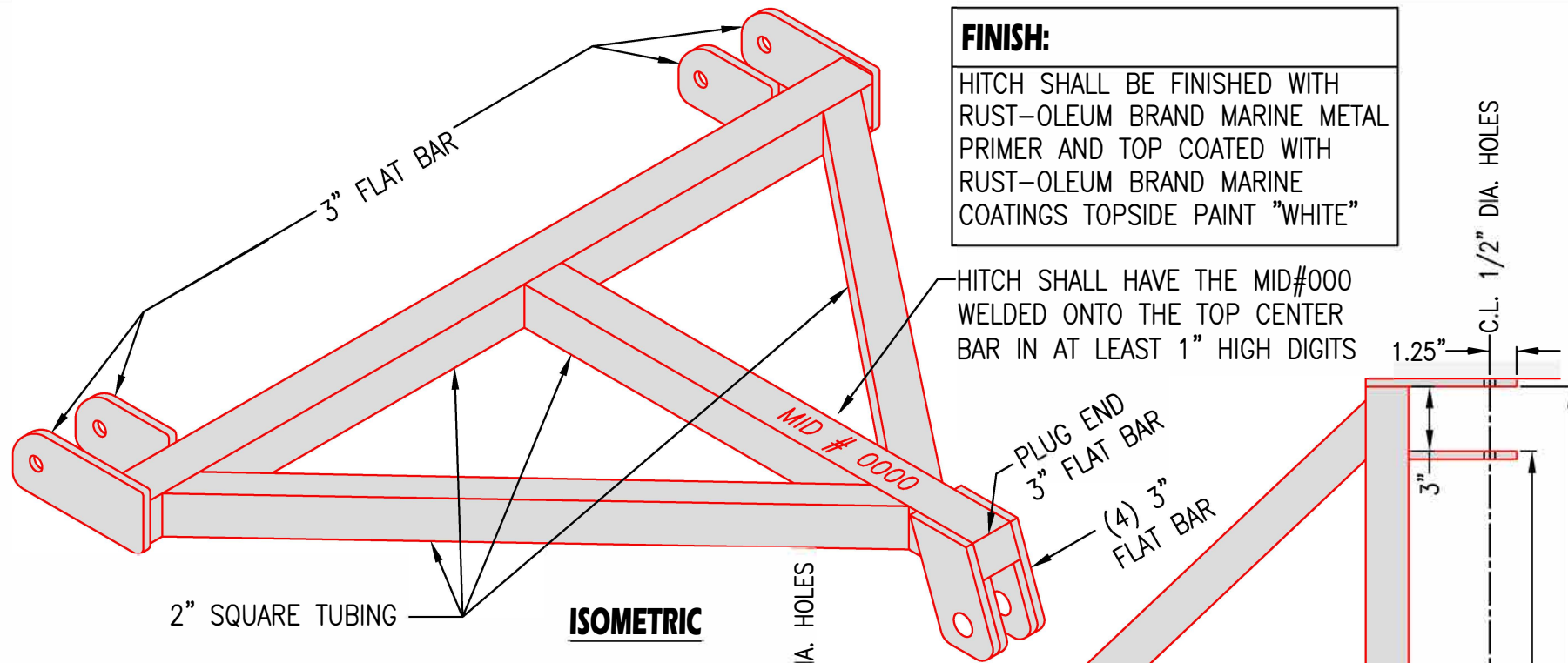


SCALE: **NONE**

FINISH:

HITCH SHALL BE FINISHED WITH RUST-OLEUM BRAND MARINE METAL PRIMER AND TOP COATED WITH RUST-OLEUM BRAND MARINE COATINGS TOPSIDE PAINT "WHITE"

HITCH SHALL HAVE THE MID#000 WELDED ONTO THE TOP CENTER BAR IN AT LEAST 1" HIGH DIGITS

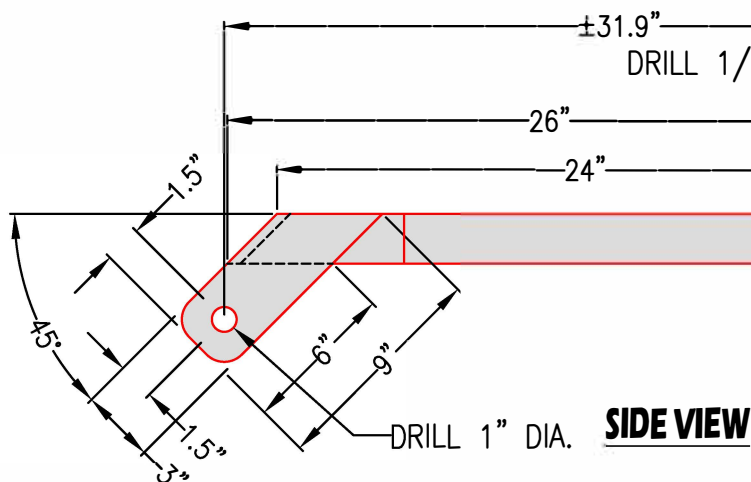
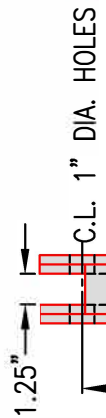


2" SQUARE TUBING

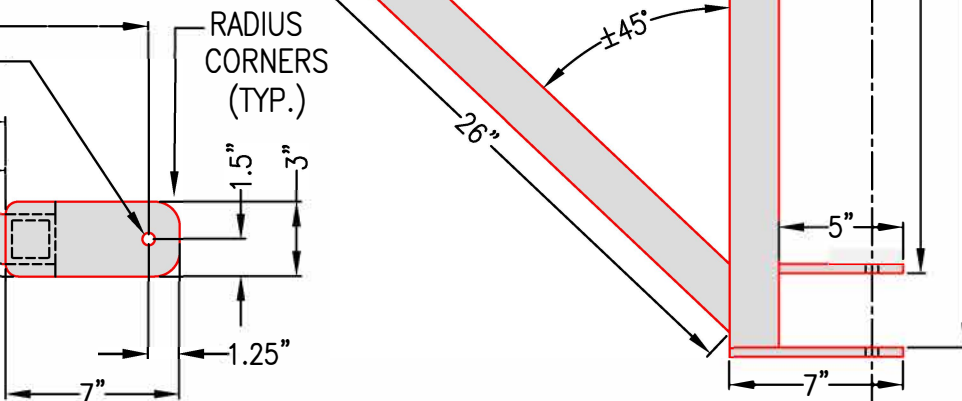
ISOMETRIC

MINIMUM REQUIRED MATERIALS:

(56") - 1/2" X 3" FLAT BAR
(117") - 2" X 2" X 1/4" WALL SQUARE TUBING
ALL MATERIALS HOT ROLLED MILD STEEL



SIDE VIEW



TOP VIEW